

DESCRIPTION

AMC MODEL SWN-2183-1AT OPTIONS: 001, 812 IS AN ABSORPTIVE/NON-REFLECTIVE SINGLE POLE SINGLE THROW SWITCH DESIGNED TO OPERATE BETWEEN THE 8 TO 12 GHz FREQUENCY RANGE. IT IS DESIGNED WITH TWO SMA MALE RF CONNECTORS.

SPECIFICATIONS

- FREQUENCY RANGE: 8 TO 12 GHz
- INSERTION LOSS: 3.0 dB MAXIMUM
- ISOLATION: 80 dB MINIMUM
- VSWR: 2.0:1
- RISE TIME: 10 nSec MAXIMUM
- FALL TIME: 10 nSec MAXIMUM
- DELAY ON: 70 nSec MAXIMUM
- DELAY OFF: 70 nSec MAXIMUM
- POWER INPUT: (CW)+20 dBm (STANDARD),
+10 dBm (HIGH SPEED)
- SURVIVAL POWER: 1 WATT CW, 10 WATTS PEAK 1 uSec
- CONTROL: TTL LOGIC "0" = ON
TTL LOGIC "1" = OFF
- POWER SUPPLY: +5V @ 90 mA MAXIMUM
-5V @ 75 mA MAXIMUM
- CONNECTORS:
RF: SMA MALE
CONTROL: SOLDER PIN
- SIZE: 1.00" (L) x 1.00" (W) x 0.50" (H)
- WEIGHT: 1.5 OUNCE TYPICAL

OPTIONS:

- 001: TWO SMA MALE RF CONNECTORS
- 812: 8 TO 12 GHz FREQUENCY RANGE

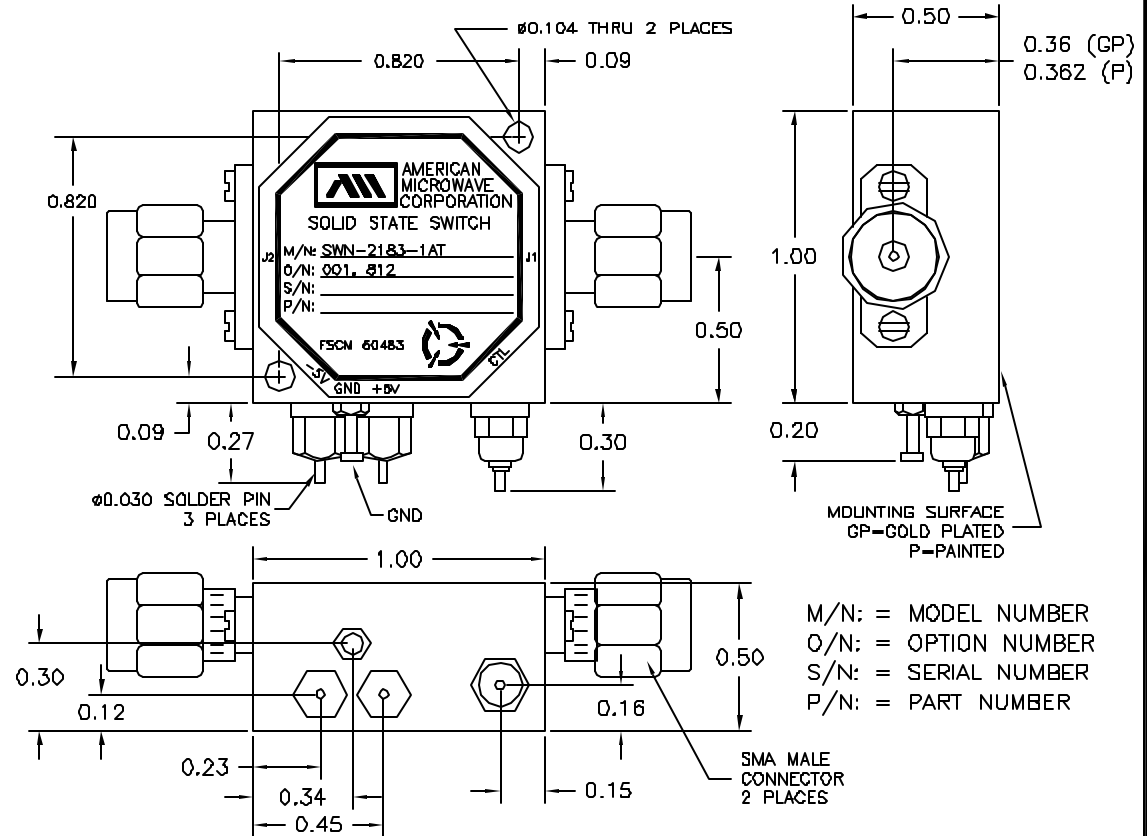
ENVIRONMENTAL RATINGS:

- TEMPERATURE: -55°C TO +85°C (OPERATING)
-65°C TO +125°C (STORAGE)
- HUMIDITY: MIL-STD-202F, METHOD 103B COND. B
- SHOCK: MIL-STD-202F, METHOD 213B COND. B
- VIBRATION: MIL-STD-202F, METHOD 204D COND. B
- ALTITUDE: MIL-STD-202F, METHOD 105C COND. B
- TEMPERATURE CYCLE: MIL-STD-202F, METHOD 107D COND. A

NOTE: SPECIFICATIONS WILL VARY OVER OPERATING TEMPERATURE
NOTE: THE ABOVE SPECIFICATIONS ARE SUBJECT TO CHANGE OR REVISION

ALL DIMENSIONS ARE IN INCHES
TOLERANCES:
XXX ±0.020
XXX ±0.010

REVISIONS				
ZONE	REV.	DESCRIPTION	DATE	APPROVED
	-	ORIGINAL RELEASE JOB# 510245	11/9/05	



AMERICAN MICROWAVE CORPORATION

7311-G GROVE ROAD
FREDERICK, MARYLAND 21704 USA
TEL: 301-662-4700 FAX: 301-662-4938
WEBSITE: www.americanmicrowavecorp.com
E-MAIL: sales@americanmicrowavecorp.com
ISO 9001:2000 CERTIFIED

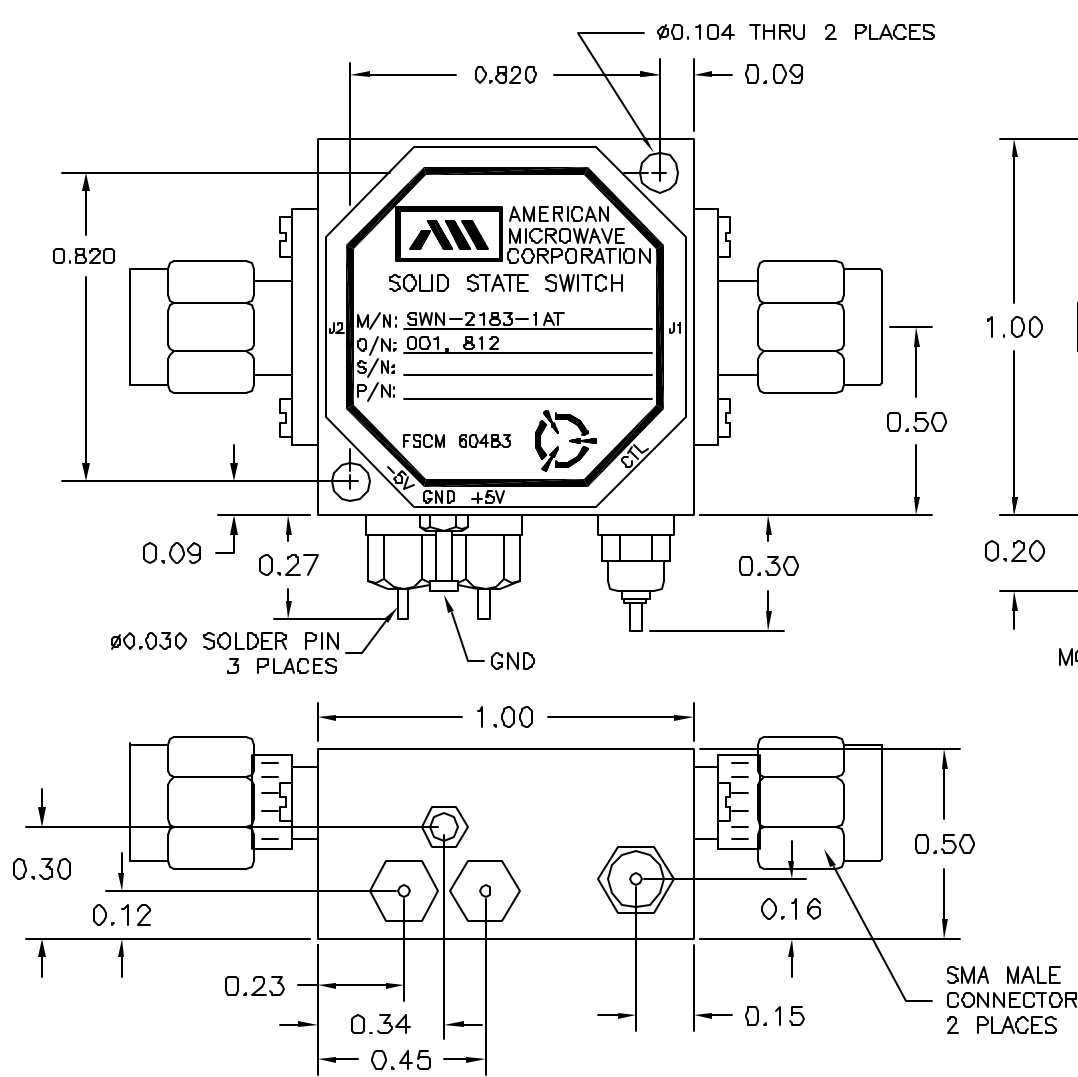


APPROVALS		DATE	TITLE			REV.
DRAWN		11/9/05	PRODUCT FEATURE SWN-2183-1AT OPTION: 001, 812 8-12 GHz SINGLE POLE SINGLE THROW SWITCH			-
CHECKED			SIZE	FSCM NO.	DWG NO.	
ISSUED			A	60483	100-7541	
			SCALE	N:S		SHEET 1 OF 4

DESCRIPTION

AMC MODEL SWN-2183-1AT OPTIONS: 001, 812 IS AN ABSORPTIVE/NON-REFLECTIVE SINGLE POLE SINGLE THROW SWITCH DESIGNED TO OPERATE BETWEEN THE 8 TO 12 GHz FREQUENCY RANGE. IT IS DESIGNED WITH TWO SMA MALE RF CONNECTORS.

REVISIONS				
ZONE	REV.	DESCRIPTION	DATE	APPROVED
	-	ORIGINAL RELEASE JOB# 510245	11/9/05	



MECHANICAL OUTLINE

M/N: = MODEL NUMBER
 Q/N: = OPTION NUMBER
 S/N: = SERIAL NUMBER
 P/N: = PART NUMBER

ALL DIMENSIONS ARE IN INCHES
 TOLERANCES:
 X.XX ±0.020
 X.XXX ±0.010

AMERICAN MICROWAVE CORPORATION

7311-G GROVE ROAD
 FREDERICK, MARYLAND 21704 USA
 TEL: 301-662-4700 FAX: 301-662-4938
 WEBSITE: www.americanmicrowavecorp.com
 E-MAIL: sales@americanmicrowavecorp.com
 ISO 9001:2000 CERTIFIED



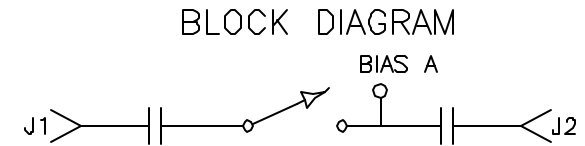
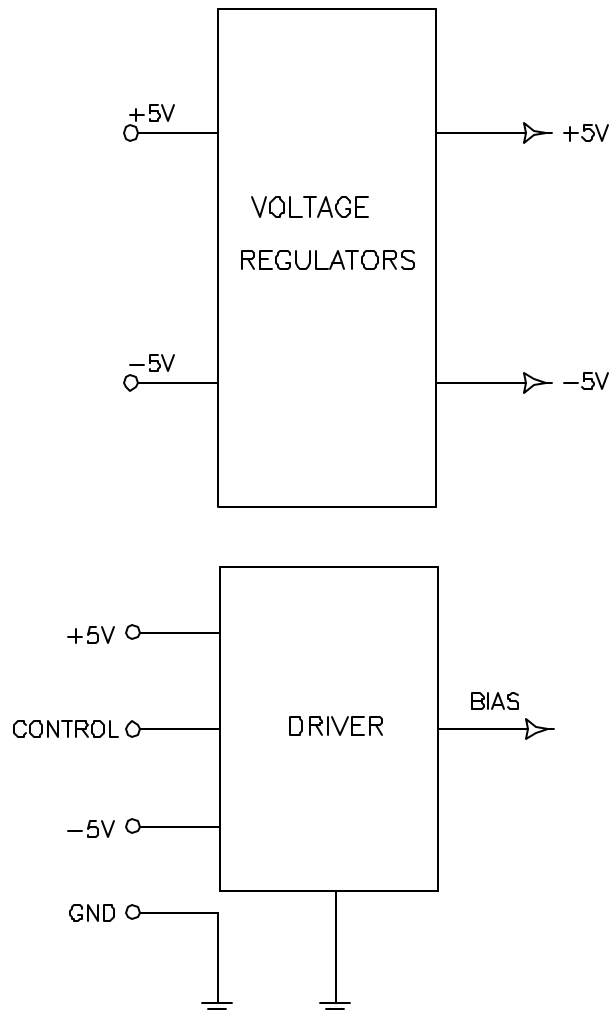
APPROVALS		DATE	TITLE		
DRAWN	<i>FDS</i>	11/9/05	MECHANICAL OUTLINE SWN-2183-1AT OPTION: 001, 812 8-12 GHz SINGLE POLE SINGLE THROW SWITCH		
CHECKED			SIZE	FSCM NO.	DWG NO.
ISSUED			A	60483	100-7541
			SCALE	N:S	SHEET 2 OF 4

DESCRIPTION

AMC MODEL SWN-2183-1AT OPTIONS: 001, 812 IS AN ABSORPTIVE/NON-REFLECTIVE SINGLE POLE SINGLE THROW SWITCH DESIGNED TO OPERATE BETWEEN THE 8 TO 12 GHz FREQUENCY RANGE. IT IS DESIGNED WITH TWO SMA MALE RF CONNECTORS.

REVISIONS				
ZONE	REV.	DESCRIPTION	DATE	APPROVED
	-	ORIGINAL RELEASE JOB# 510245	11/9/05	

FUNCTIONAL BLOCK DIAGRAM



AMERICAN MICROWAVE CORPORATION

7311-G GROVE ROAD
 FREDERICK, MARYLAND 21704 USA
 TEL: 301-662-4700 FAX: 301-662-4938
 WEBSITE: www.americanmicrowavecorp.com
 E-MAIL: sales@americanmicrowavecorp.com
 ISO 9001:2000 CERTIFIED



APPROVALS		DATE	TITLE	
DRAWN		11/9/05	FUNCTIONAL BLOCK DIAGRAM	
CHECKED			SWN-2183-1AT	
ISSUED			OPTION: 001, 812	
SIZE	FSCM NO.	DWG NO.	8-12 GHz SINGLE POLE SINGLE THROW SWITCH	
A	60483	100-7541	REV.	-
SCALE	N:S	SHEET	3 OF 4	